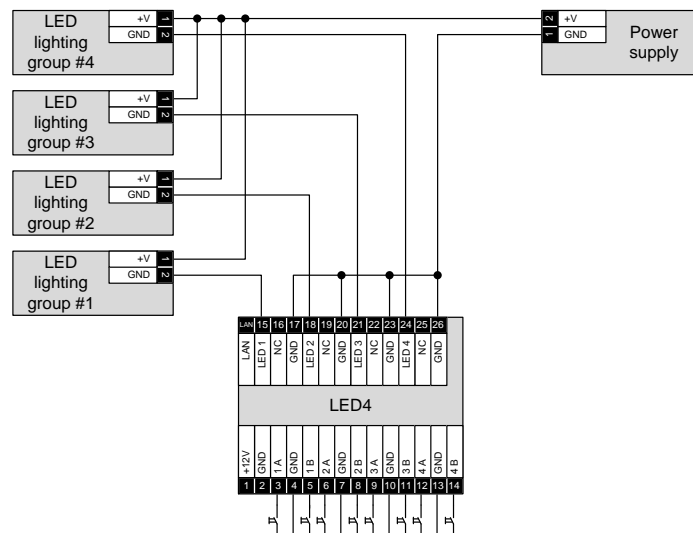


Using several power supply units



Using single power supply unit